

Novia
A Division of C&P

Represented By:

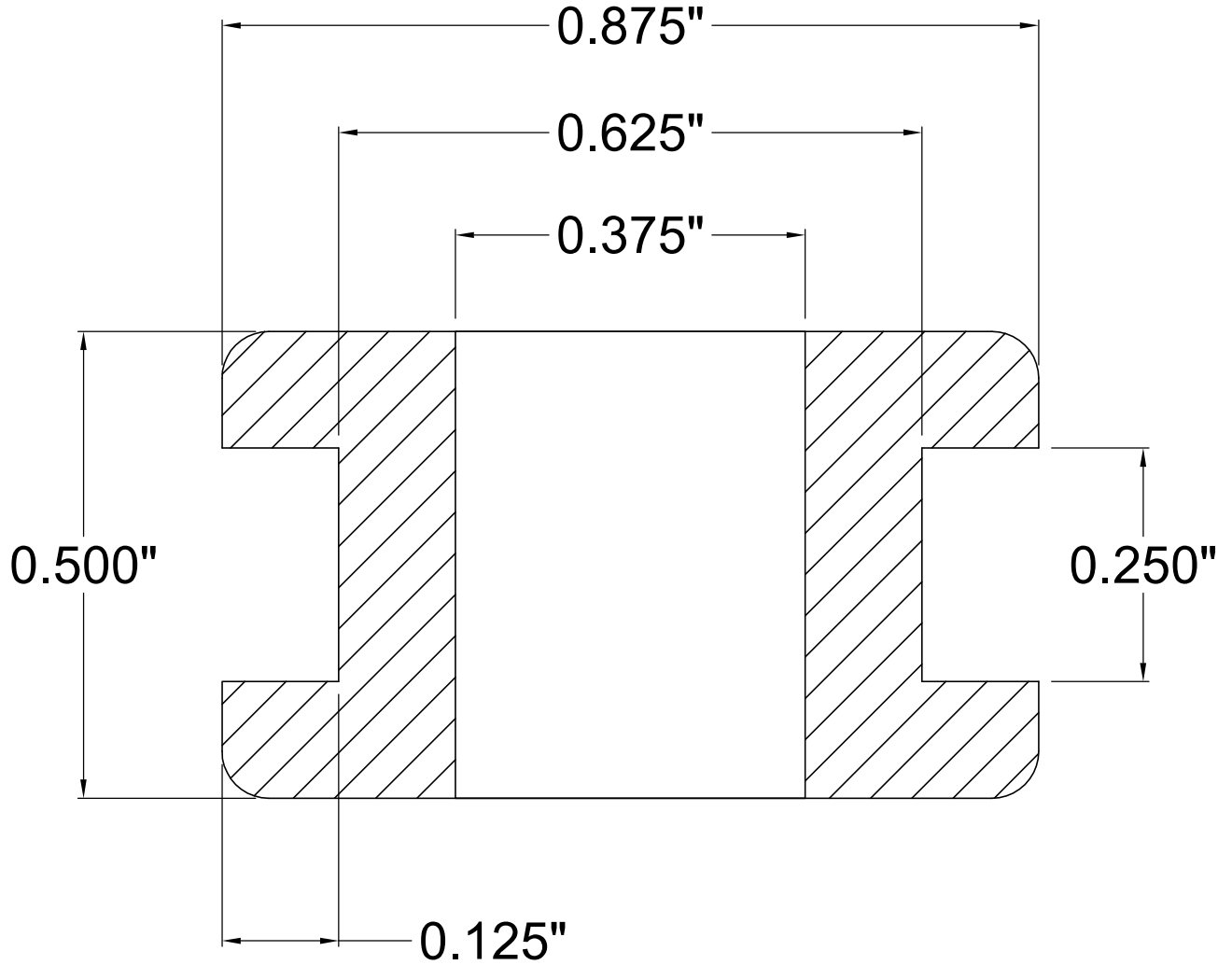


Phone: (860) 530-1580

PROJECT: _____

CUSTOMER: _____

$\frac{3}{8}$ "
GROMMET
2558-A60
08/22/16

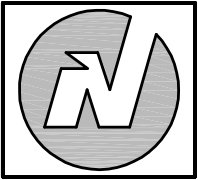


CERTIFICATION DATA

BY:

DATE:

DWG#:



Novia
A Division of C&P

Represented By:

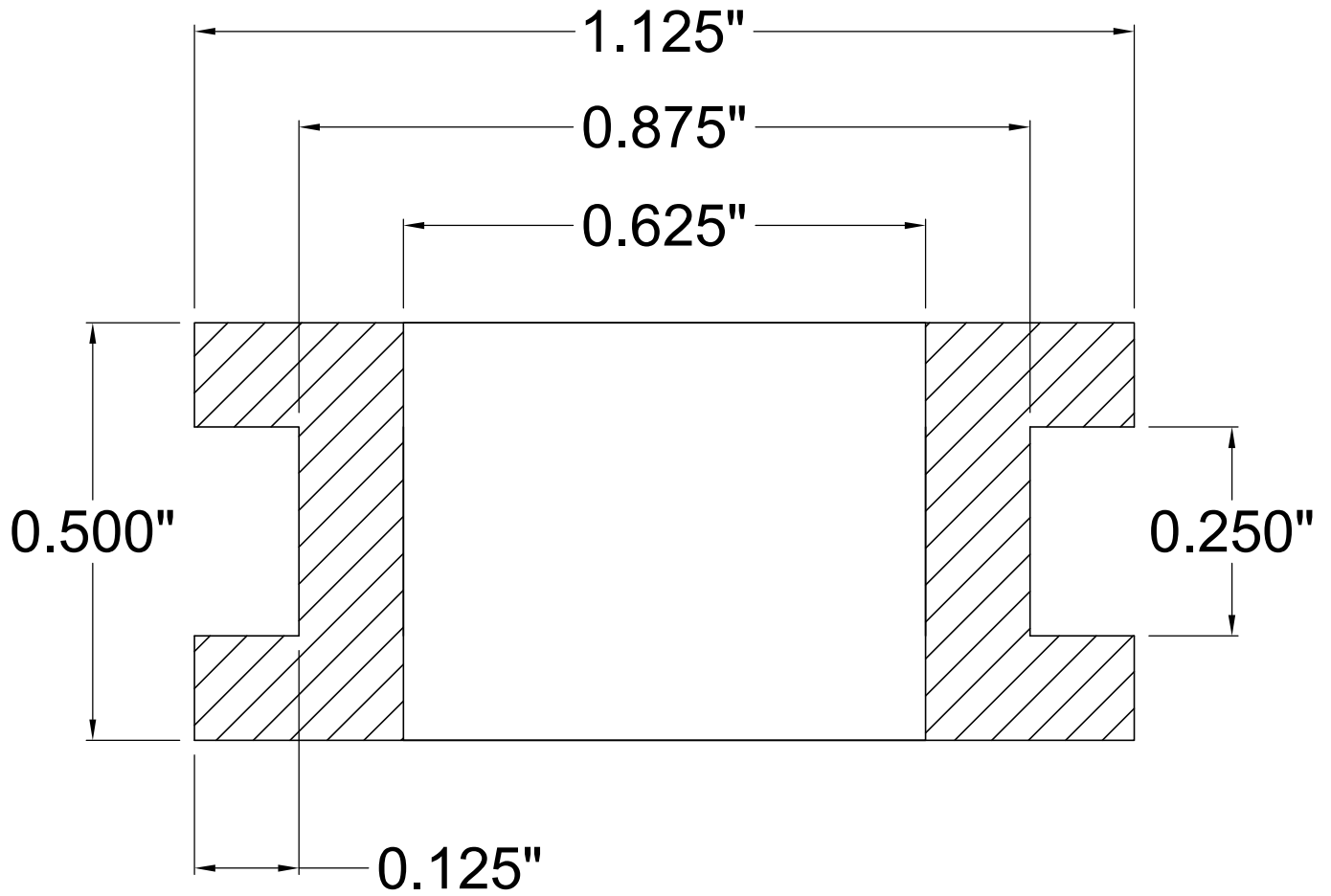


Phone: (860) 530-1580

PROJECT: _____

CUSTOMER: _____

$\frac{5}{8}$ "
GROMMET
2564-A60
02/23/07

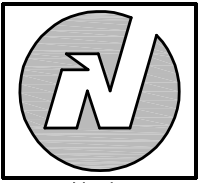


CERTIFICATION DATA

BY:

DATE:

DWG#:



Novia
A Division of C&P

Represented By:



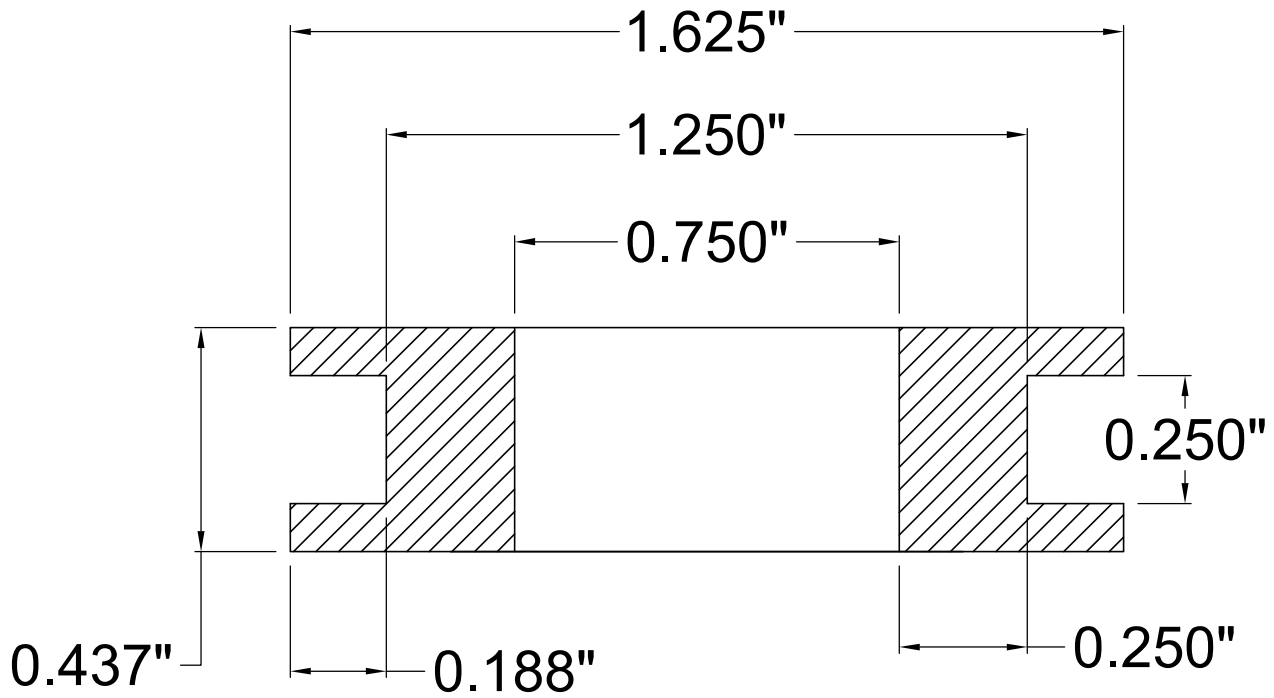
Phone: (860) 530-1580

PROJECT: _____

CUSTOMER: _____

3/4"
GROMMET

2568
8/22/16

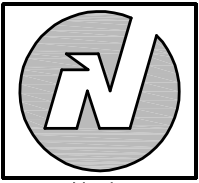


CERTIFICATION DATA

BY:

DATE:

DWG#:



Novia
A Division of C&P

Represented By:

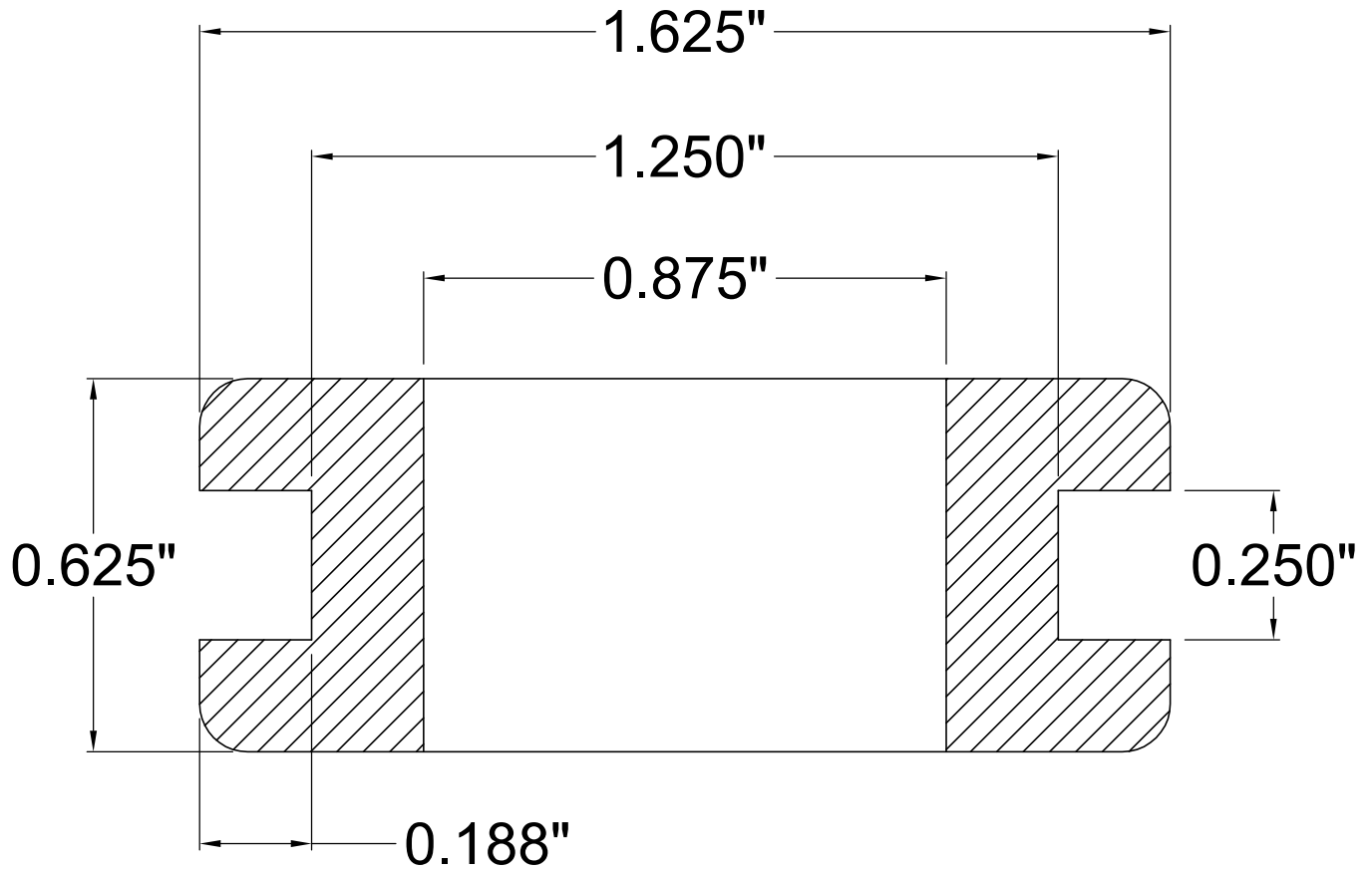


Phone: (860) 530-1580

PROJECT: _____

CUSTOMER: _____

$\frac{7}{8}$ "
GROMMET
2570-A60
8/22/16

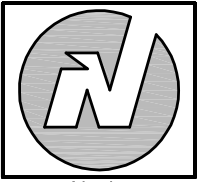


CERTIFICATION DATA

BY:

DATE:

DWG#:



Novia
A Division of C&P

Represented By:

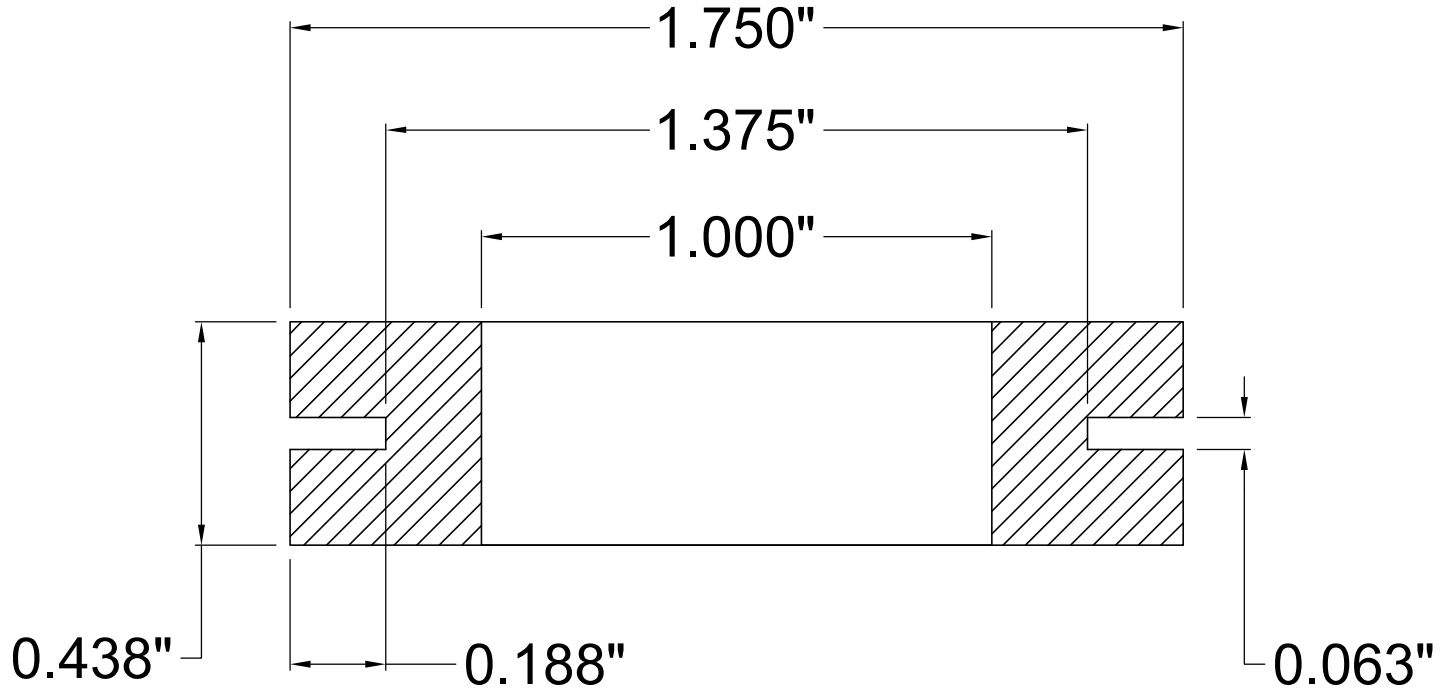


Phone: (860) 530-1580

PROJECT: _____

CUSTOMER: _____

1"
GROMMET
2277
8/22/16

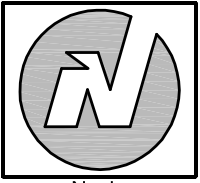


CERTIFICATION DATA

BY:

DATE:

DWG#:



Novia
A Division of C&P

Represented By:

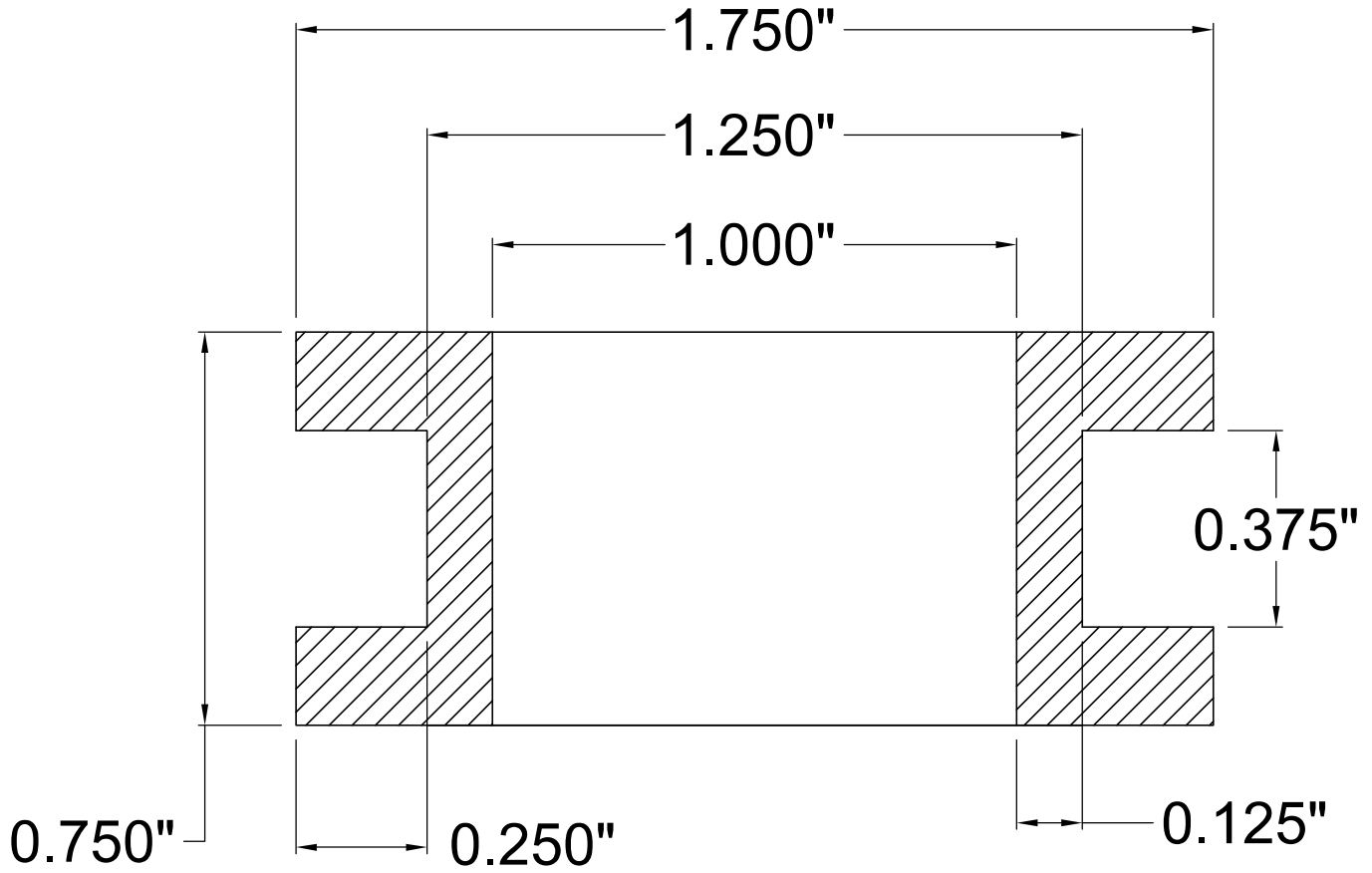


Phone: (860) 530-1580

PROJECT: _____

CUSTOMER: _____

1"
GROMMET
10099
8/22/16

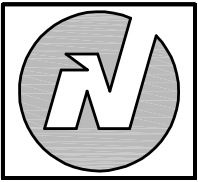


CERTIFICATION DATA

BY:

DATE:

DWG#:



Novia
A Division of C&P

Represented By:

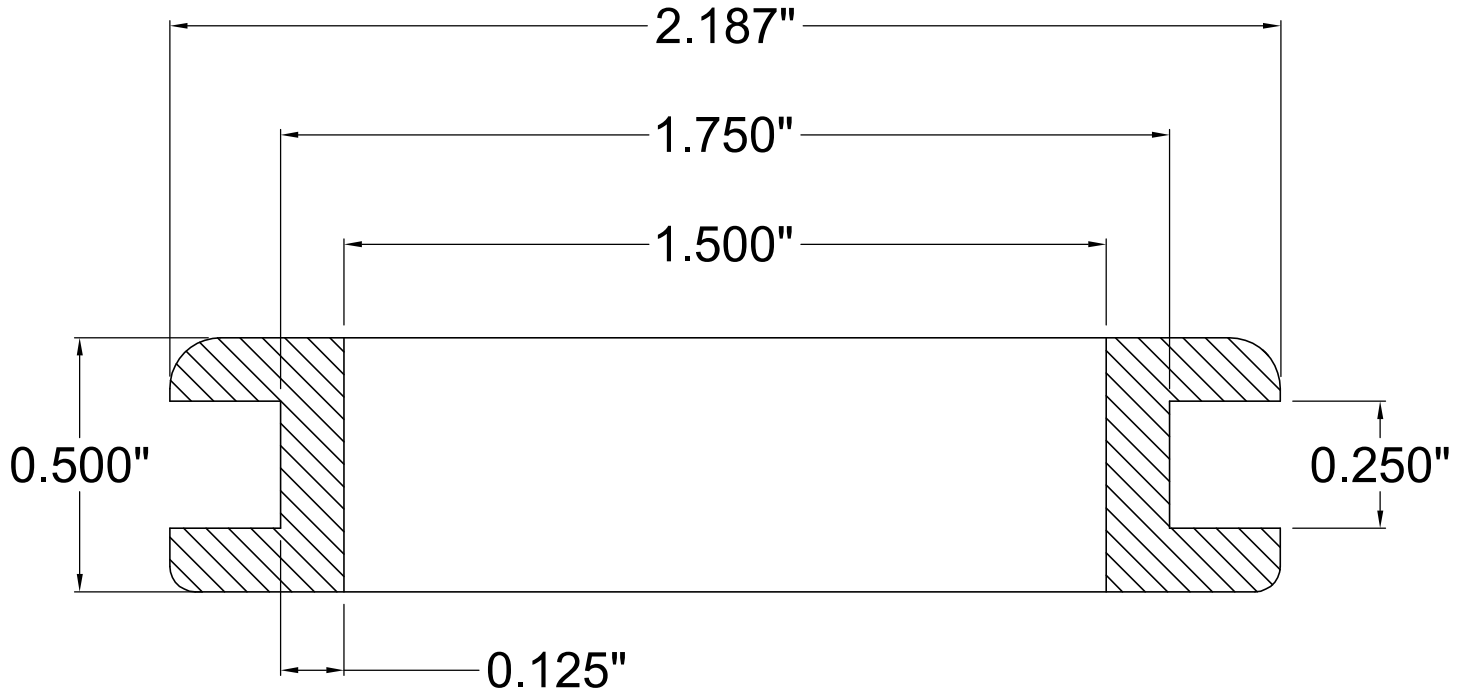


Phone: (860) 530-1580

PROJECT: _____

CUSTOMER: _____

1-1/2"
GROMMET
2034-A70 SBR
8/22/16

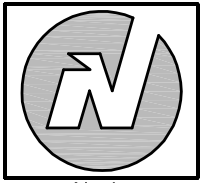


CERTIFICATION DATA

BY:

DATE:

DWG#:



Novia
A Division of C&P

Represented By:



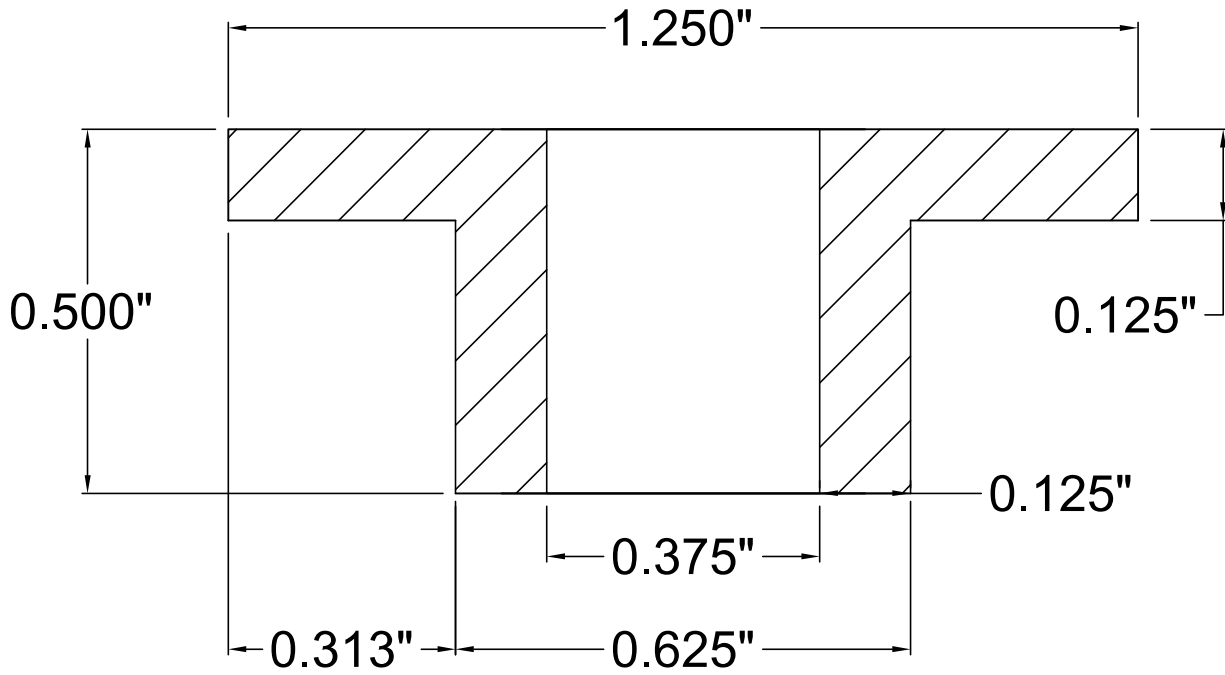
Phone: (860) 530-1580

PROJECT: _____

CUSTOMER: _____

HG-38 Bushing

05/03/07



CERTIFICATION DATA

TAG _____
UNIT _____



MOUNT LOCATION PLAN VIEW

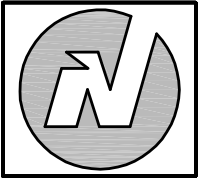
1	2
3	4
5	6
7	8
9	10

MATERIAL FOR ONE SET _____ SET(S) REQUIRED

BY:

DATE:

DWG#:



Novia
A Division of C&P

Represented By:



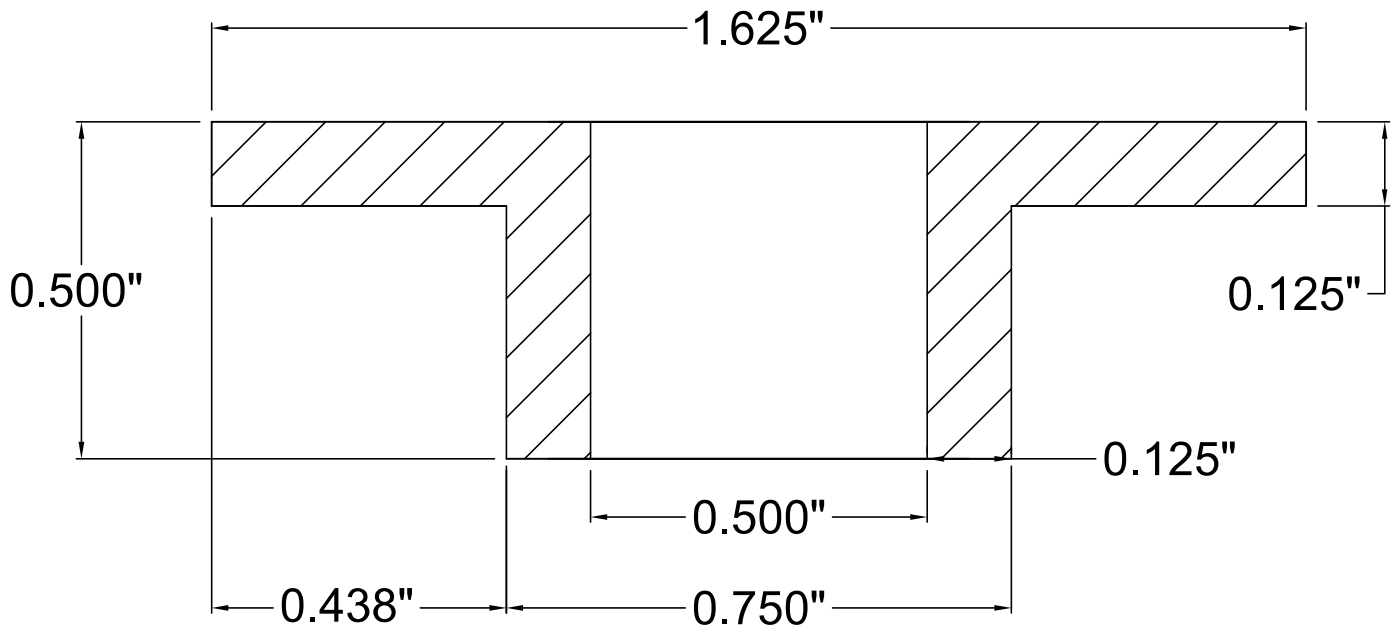
Phone: (860) 530-1580

PROJECT: _____

CUSTOMER: _____

HG-50 Bushing

05/03/07



CERTIFICATION DATA

TAG _____
UNIT _____



MOUNT LOCATION PLAN VIEW

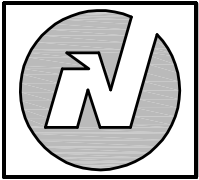
1	2
3	4
5	6
7	8
9	10

MATERIAL FOR ONE SET _____ SET(S) REQUIRED

BY: _____

DATE: _____

DWG#: _____



Novia
A Division of C&P

Represented By:



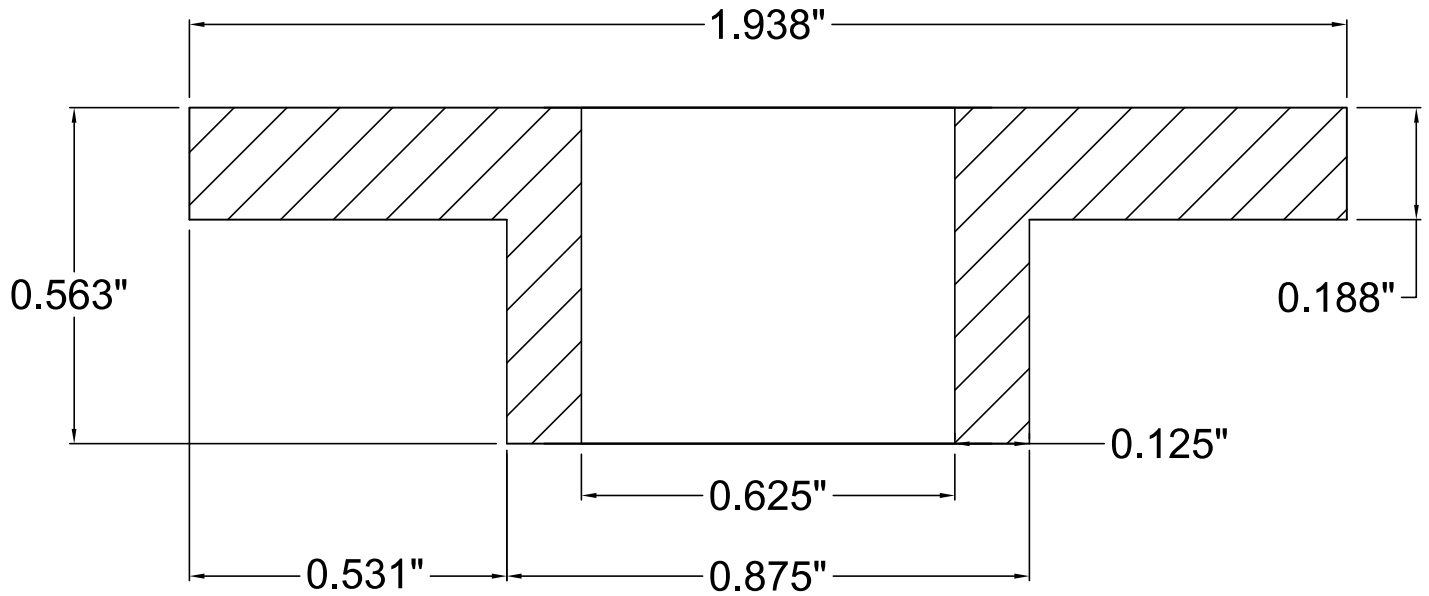
Phone: (860) 530-1580

PROJECT: _____

CUSTOMER: _____

HG-63 Bushing

05/03/07



CERTIFICATION DATA

TAG _____
UNIT _____



MOUNT LOCATION PLAN VIEW

1	2
3	4
5	6
7	8
9	10

MATERIAL FOR ONE SET _____ SET(S) REQUIRED

BY:

DATE:

DWG#: