

Novia
A Division of C&P

Represented By:



Phone: (860) 530-1580

PROJECT: _____

CUSTOMER: _____

CIB

CONCRETE INERTIA
BASE - CUSTOM
CIB 100 06/24/15

TAG: _____

MFG: _____ HP: _____

QTY: _____

ISOLATORS

WEIGHTS

MATERIALS

A: _____

PUMP: _____

BASE: _____

B: _____

BASE: _____

REBAR: 3/8" DIAM 8" OCBW

C: _____

CONCRETE: _____

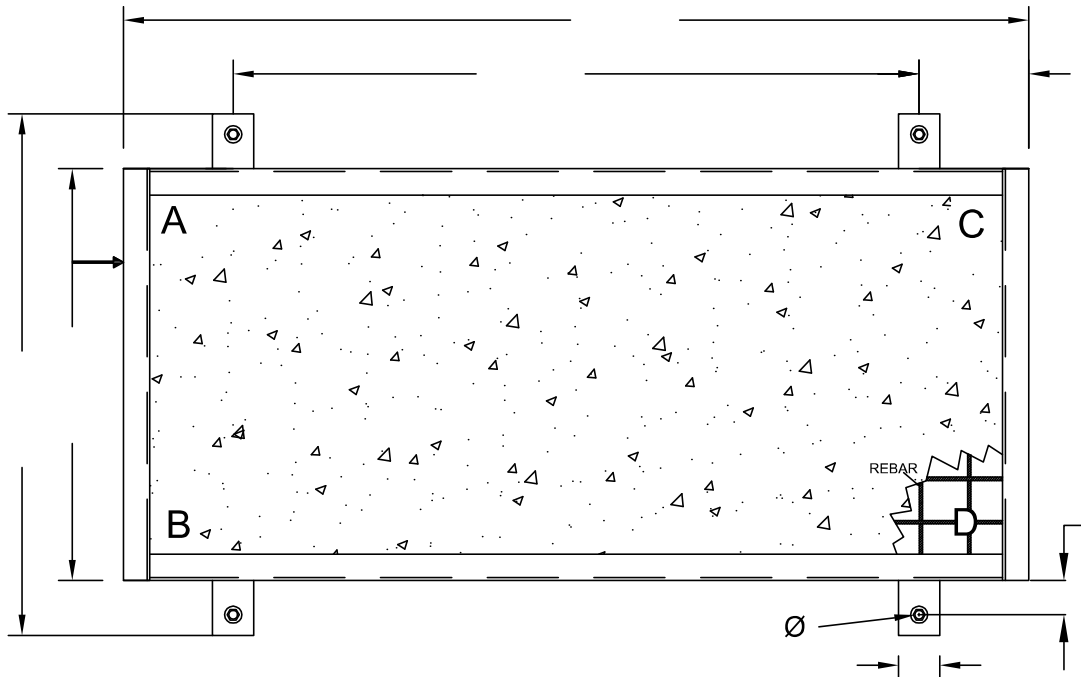
H/S BKTS: L4"x4"x3/8" (LONG)

D: _____

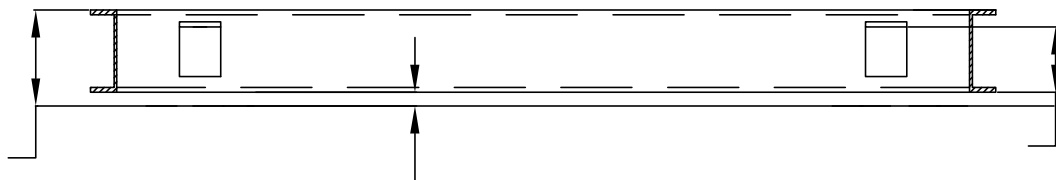
TOTAL: _____

FINISH: STANDARD - PAINT
OPTIONAL - GALVANIZED

REF.: _____



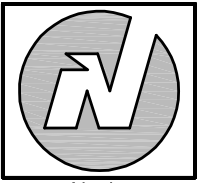
MINIMUM HOUSEKEEPING PAD SIZE: _____



BY: _____

DATE: _____

DWG#: _____



Novia
A Division of C&P

Represented By:



Phone: (860) 530-1580

PROJECT: _____

CUSTOMER: _____

CIB-ERSM

CONCRETE INERTIA
BASE
CIB-ERSM 100 06/24/15

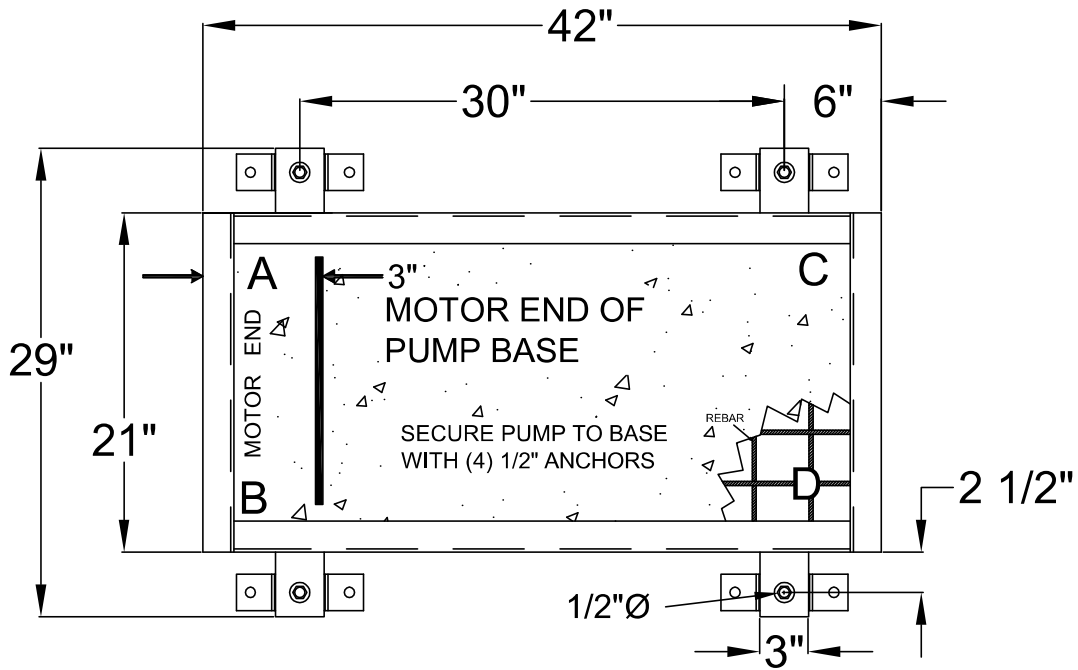
TAG: _____

MFG: _____ HP: _____

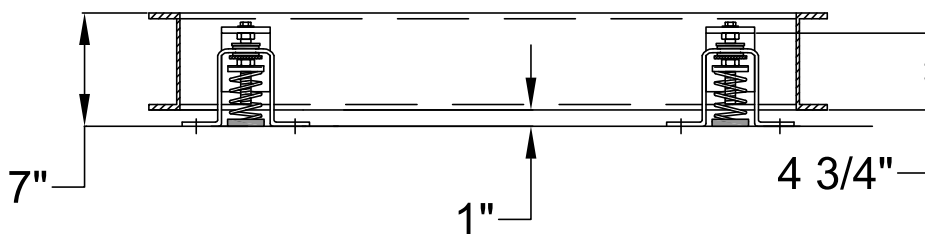
QTY: _____

ISOLATORS

<u>WEIGHTS</u>	<u>MATERIALS</u>	
PUMP: _____	BASE: C6"x8.2# _____	A: ERSM- _____
BASE: 100# _____	REBAR: 3/8" DIAM 8" OCBW _____	B: ERSM- _____
CONCRETE: 460# _____	H/S BKTS: L4"x4"x3/8" (3" LONG) _____	C: ERSM- _____
TOTAL: _____	FINISH: STANDARD - PAINT _____	D: ERSM- _____
	OPTIONAL - GALVANIZED _____	REF.: _____



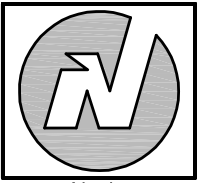
MINIMUM HOUSEKEEPING PAD SIZE: 48"x36"



BY:

DATE:

DWG#:



Novia
A Division of C&P

Represented By:



Phone: (860) 530-1580

PROJECT: _____

CUSTOMER: _____

CIB-ERSM

CONCRETE INERTIA
BASE
CIB-ERSM 100 06/24/15

TAG: _____

MFG: _____ HP: _____

QTY: _____

ISOLATORS

WEIGHTS

MATERIALS

A: ERSM- _____

PUMP: _____

BASE: C6"x8.2# _____

B: ERSM- _____

BASE: 105# _____

REBAR: 3/8" DIAM 8" OCBW _____

C: ERSM- _____

CONCRETE: 525# _____

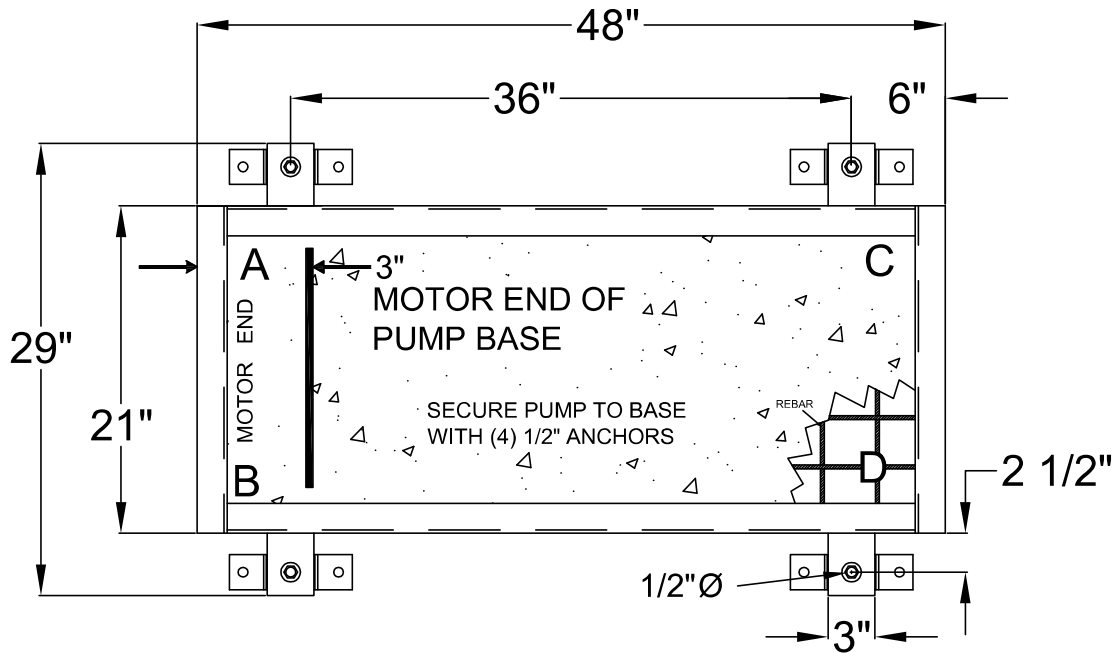
H/S BKTS: L4"x4"x3/8" (3" LONG) _____

D: ERSM- _____

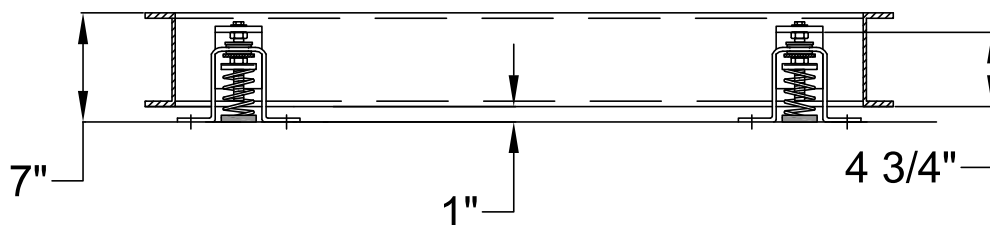
TOTAL: _____

FINISH: STANDARD - PAINT
OPTIONAL - GALVANIZED

REF.: _____



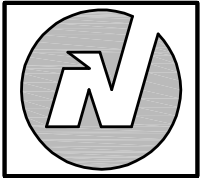
MINIMUM HOUSEKEEPING PAD SIZE: 54"x36"



BY: _____

DATE: _____

DWG#: _____



Novia
A Division of C&P

Represented By:



Phone: (860) 530-1580

PROJECT: _____

CUSTOMER: _____

CIB-ERSM

CONCRETE INERTIA
BASE
CIB-ERSM 100 06/24/15

TAG: _____

MFG: _____ HP: _____

QTY: _____

ISOLATORS

WEIGHTS

MATERIALS

A: ERSM- _____

PUMP: _____

BASE: C6"x8.2# _____

B: ERSM- _____

BASE: 125# _____

REBAR: 3/8" DIAM 8" OCBW _____

C: ERSM- _____

CONCRETE: 675# _____

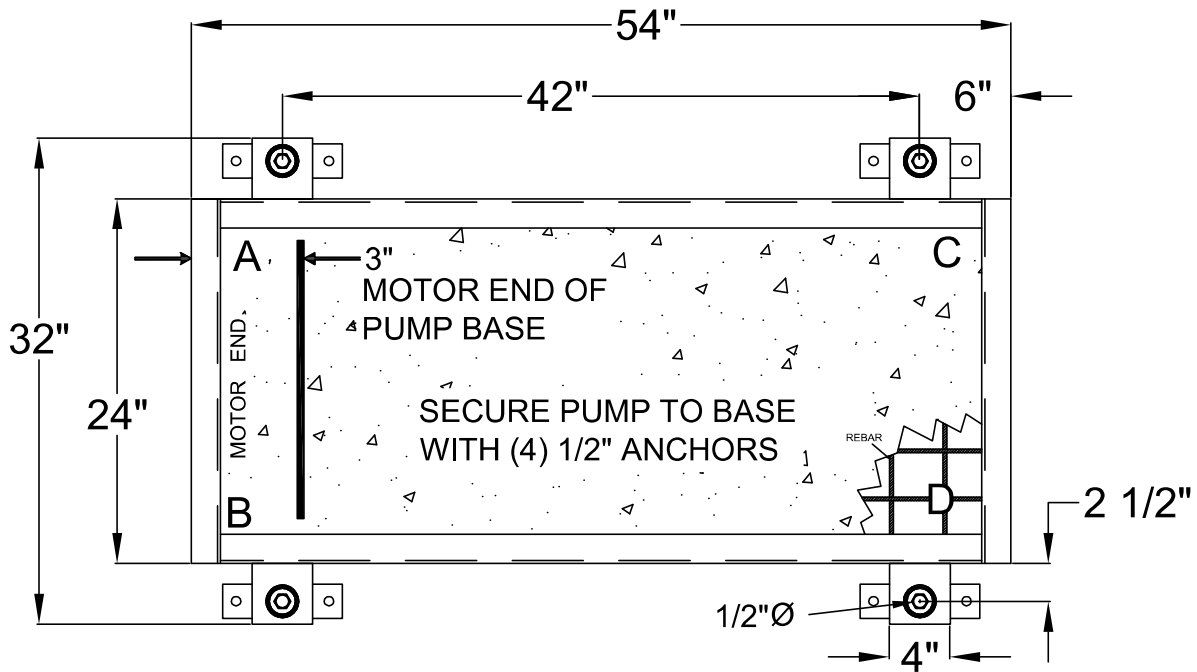
H/S BKTS: L4"x4"x3/8" (4" LONG) _____

D: ERSM- _____

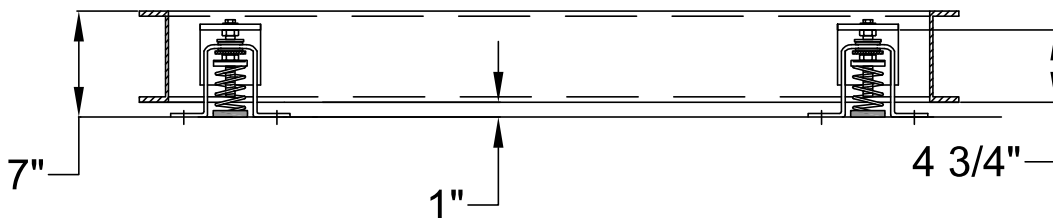
TOTAL: _____

FINISH: STANDARD - PAINT
OPTIONAL - GALVANIZED

REF.: _____



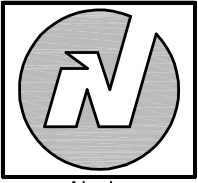
MINIMUM HOUSEKEEPING PAD SIZE: 60"x40"



BY:

DATE:

DWG#:



Novia
A Division of C&P

Represented By:



Phone: (860) 530-1580

PROJECT: _____

CUSTOMER: _____

CIB-ERSM

CONCRETE INERTIA
BASE
CIB-ERSM 100 06/24/15

TAG: _____

MFG: _____ HP: _____

QTY: _____

ISOLATORS

WEIGHTS

MATERIALS

A: ERSM- _____

PUMP: _____

BASE: C6"x8.2# _____

B: ERSM- _____

BASE: 135# _____

REBAR: 3/8" DIAM 8" OCBW _____

C: ERSM- _____

CONCRETE: 750# _____

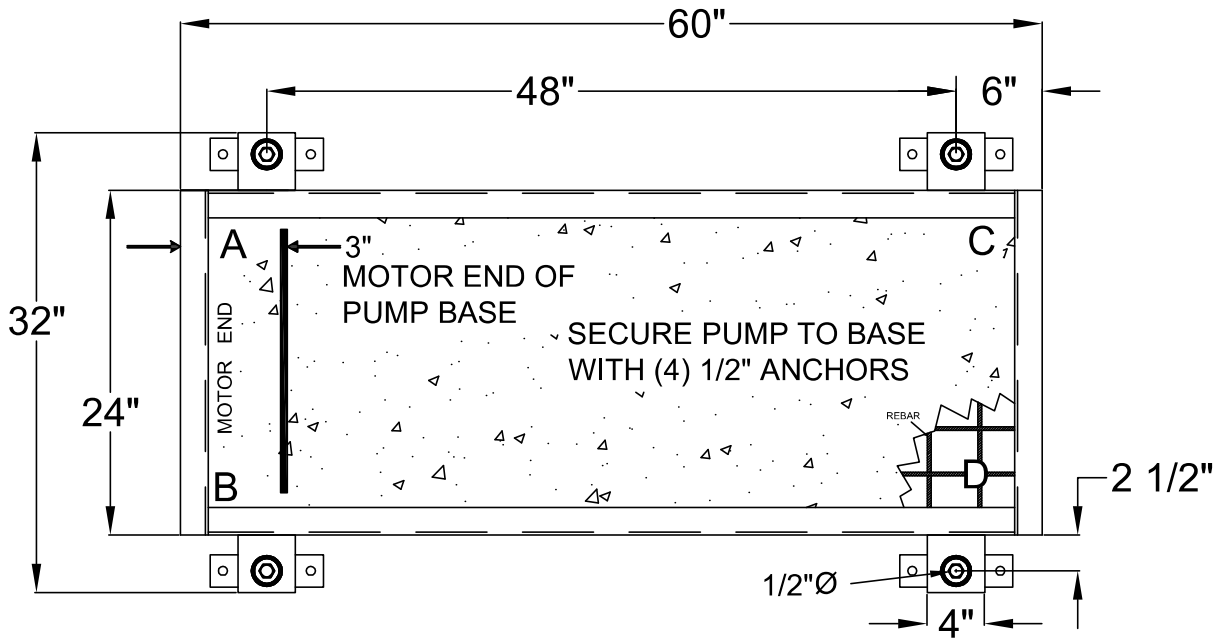
H/S BKTS: L4"x4"x3/8" (4" LONG) _____

D: ERSM- _____

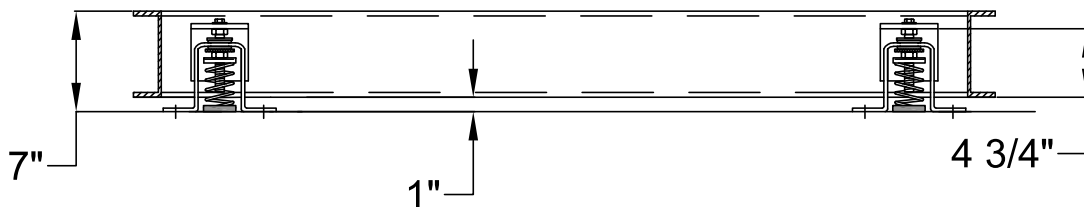
TOTAL: _____

FINISH: STANDARD - PAINT
OPTIONAL - GALVANIZED

REF.: _____



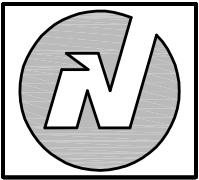
MINIMUM HOUSEKEEPING PAD SIZE: 66"x40"



BY:

DATE:

DWG#:



Novia
A Division of C&P

Represented By:



Phone: (860) 530-1580

PROJECT: _____

CUSTOMER: _____

CIB-ERSM

CONCRETE INERTIA
BASE
CIB-ERSM 100 06/24/15

TAG: _____

MFG: _____ HP: _____

QTY: _____

ISOLATORS

WEIGHTS

MATERIALS

A: ERSM- _____

PUMP: _____

BASE: C6"x8.2#" _____

B: ERSM- _____

BASE: 150# _____

REBAR: 3/8" DIAM 8" OCBW _____

C: ERSM- _____

CONCRETE: 1,040# _____

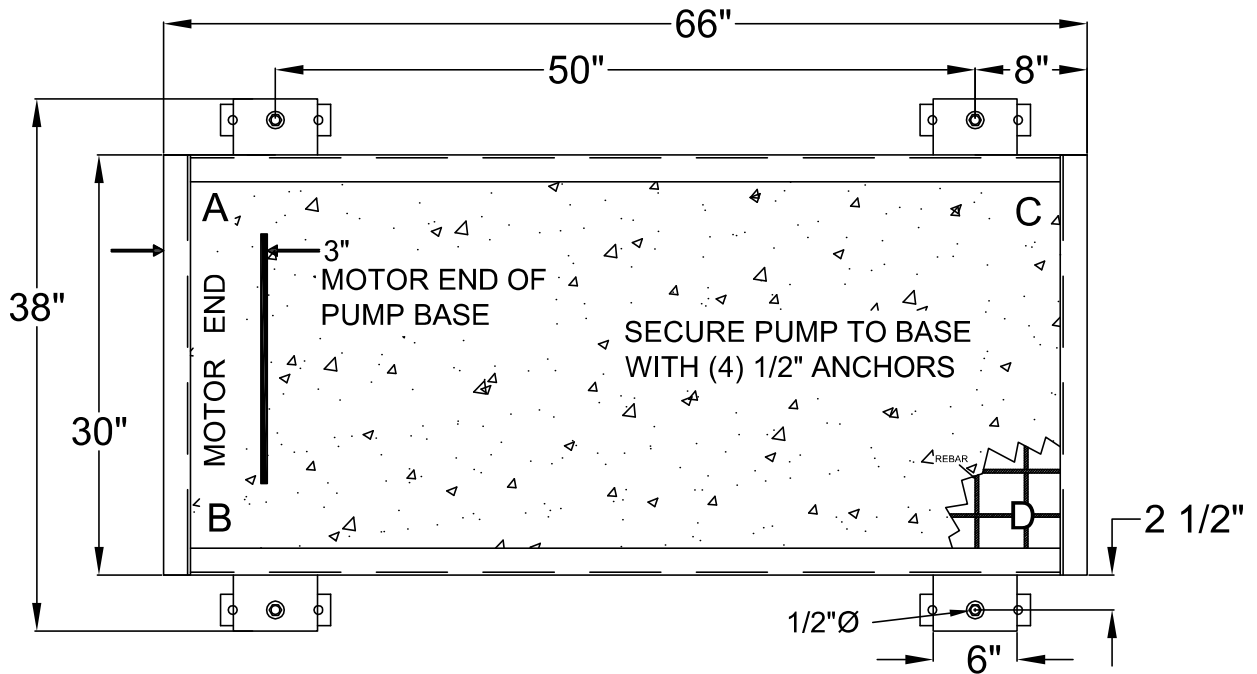
H/S BKTS: L4"x4"x3/8" (6" LONG) _____

D: ERSM- _____

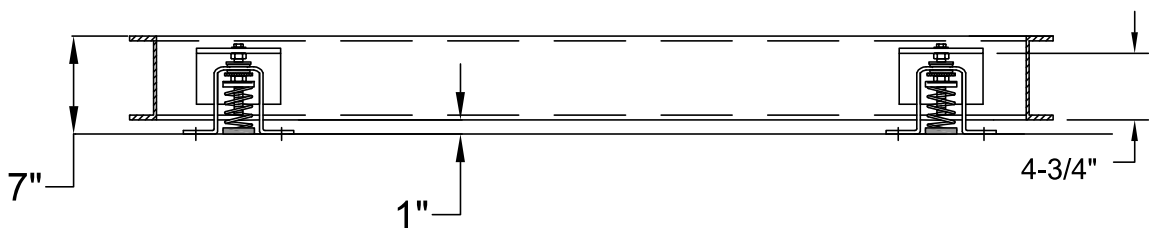
TOTAL: _____

FINISH: STANDARD - PAINT
OPTIONAL - GALVANIZED

REF.: _____



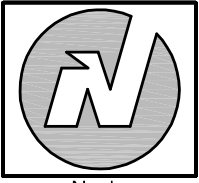
MINIMUM HOUSEKEEPING PAD SIZE: _____ 72"x45" _____



BY: _____

DATE: _____

DWG#: _____



Novia
A Division of C&P

Represented By:



Phone: (860) 530-1580

PROJECT: _____

CUSTOMER: _____

CIB-ERSM

CONCRETE INERTIA
BASE
CIB-ERSM 100 06/24/15

TAG: _____

MFG: _____ HP: _____

QTY: _____

ISOLATORS

WEIGHTS

MATERIALS

A: ERSM- _____

PUMP: _____

BASE: C6"x8.2# _____

B: ERSM- _____

BASE: 160# _____

REBAR: 3/8" DIAM 8" OCBW _____

C: ERSM- _____

CONCRETE: 1,125# _____

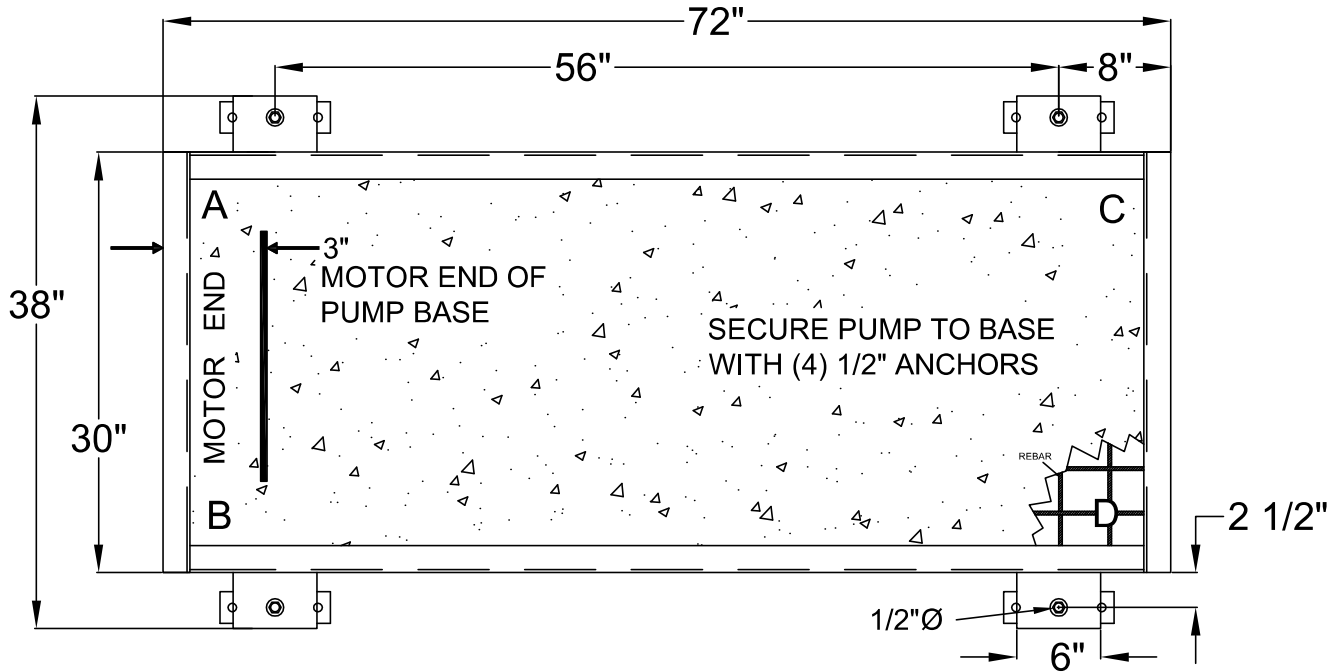
H/S BKTS: L4"x4"x3/8" (6" LONG) _____

D: ERSM- _____

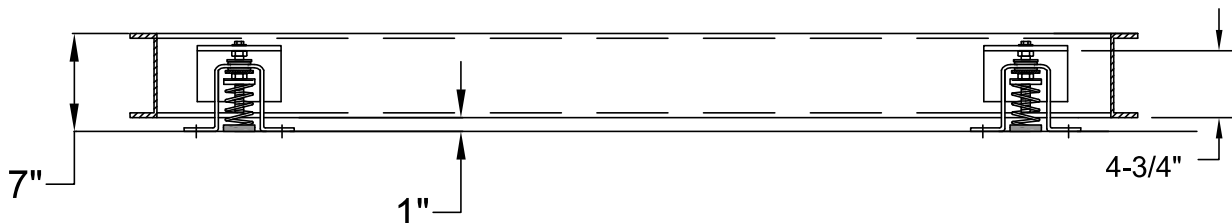
TOTAL: _____

FINISH: STANDARD - PAINT
OPTIONAL - GALVANIZED

REF.: _____



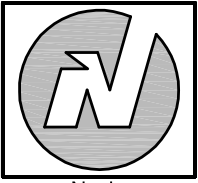
MINIMUM HOUSEKEEPING PAD SIZE: 78"x45"



BY: _____

DATE: _____

DWG#: _____



Novia
A Division of C&P

Represented By:



Phone: (860) 530-1580

PROJECT: _____

CUSTOMER: _____

CIB-SM

CONCRETE INERTIA
BASE INBOUND
CIB-SM 100 06/24/15

TAG: _____

MFG: _____ HP: _____

QTY: _____

ISOLATORS

WEIGHTS

MATERIALS

A: SM- _____

PUMP: _____

BASE: C6"x8.2#" _____

B: SM- _____

BASE: _____

REBAR: 3/8" DIAM 8" OCBW _____

C: SM- _____

CONCRETE: _____

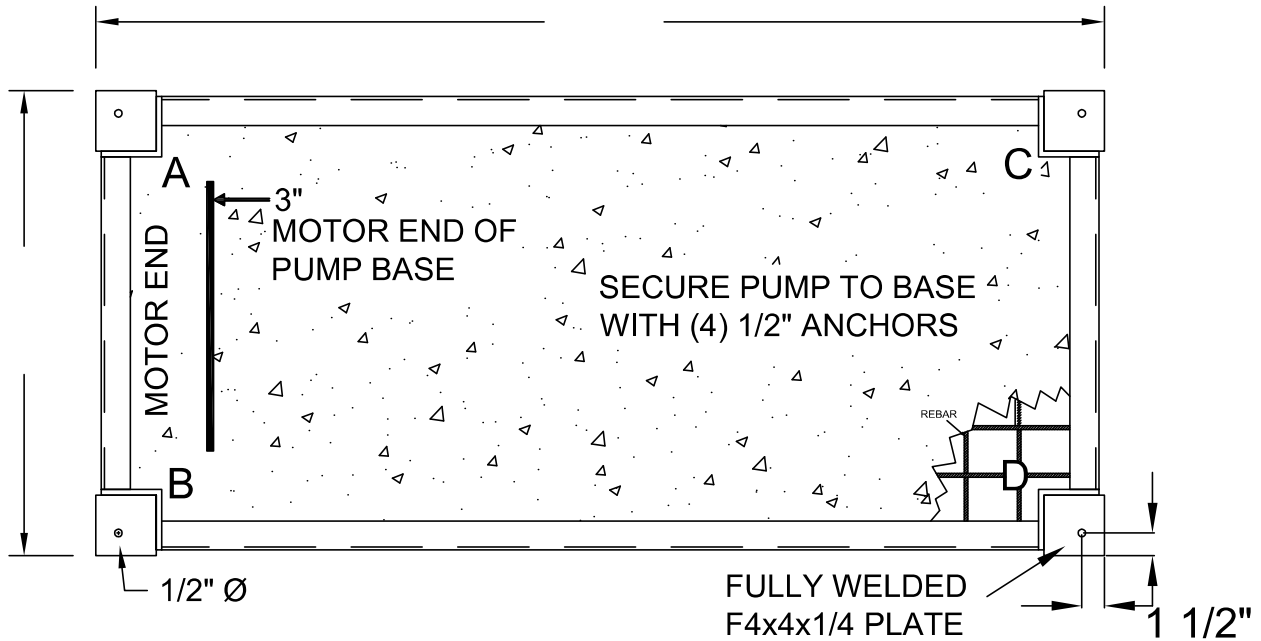
H/S BKTS: F4"x4"x1/4" _____

D: SM- _____

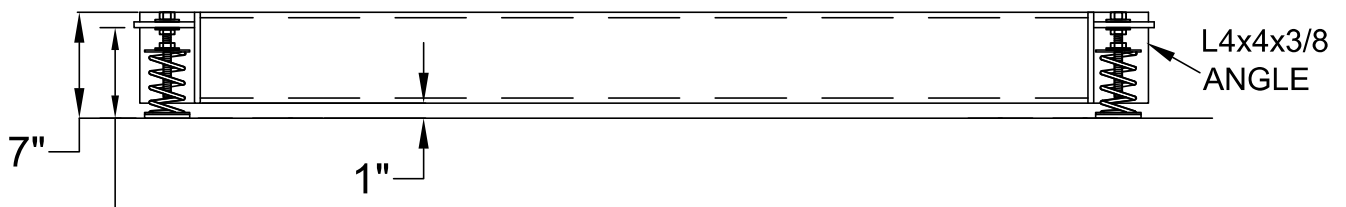
TOTAL: _____

FINISH: STANDARD - PAINT
OPTIONAL - GALVANIZED

REF.: _____



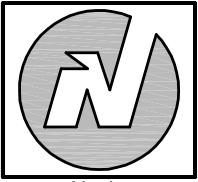
MINIMUM HOUSEKEEPING PAD SIZE: _____



BY: _____

DATE: _____

DWG#: _____



Novia
A Division of C&P

Represented By:



Phone: (860) 530-1580

PROJECT: _____

CUSTOMER: _____

T-CIB

CONCRETE INERTIA
BASE
T-CIB 06/24/15

TAG: _____

MFG: _____

HP: _____

QTY: _____

ISOLATORS

WEIGHTS

MATERIALS

A: _____

PUMP: _____

BASE: C6"x8.2#" _____

B: _____

BASE: _____

REBAR: 3/8" DIAM 8" OCBW _____

C: _____

CONCRETE: _____

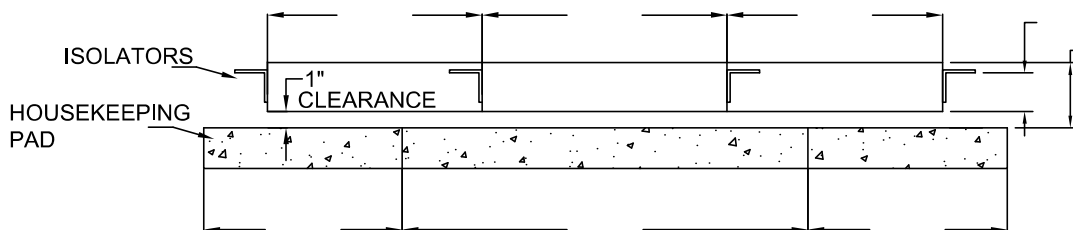
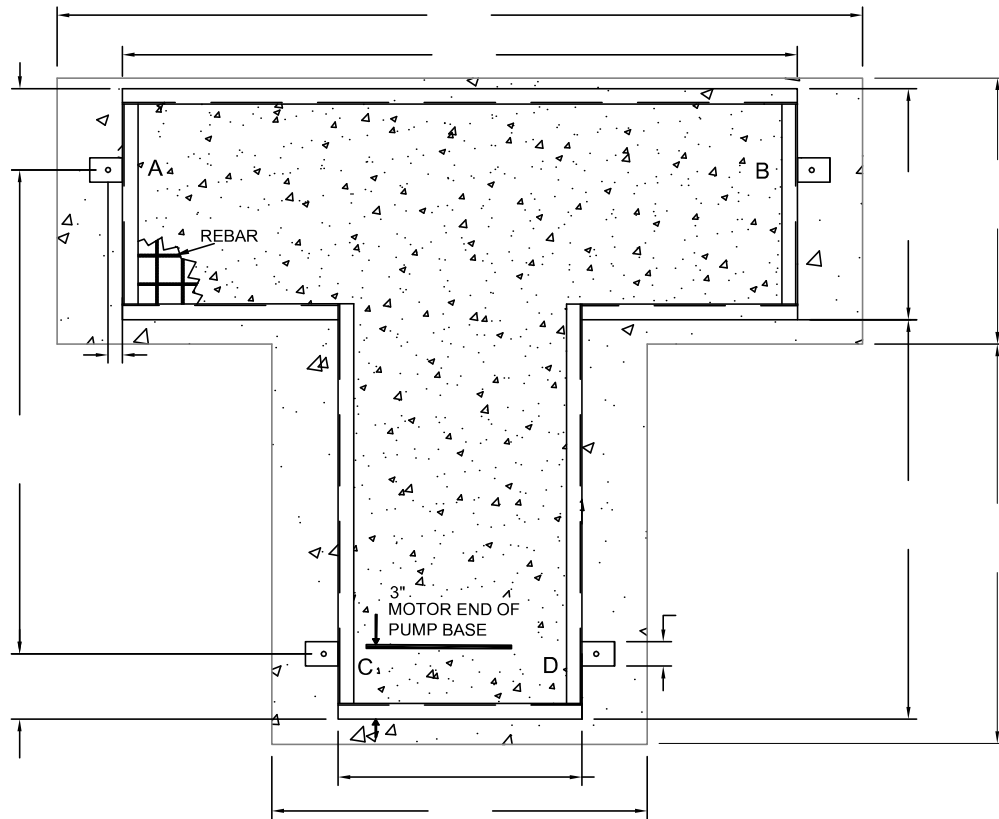
H/S BKTS: L4"x4"x3/8" _____

D: _____

TOTAL: _____

FINISH: STANDARD - PAINT
OPTIONAL - GALVANIZED

REF.: _____



BY: _____

DATE: _____

DWG#: _____